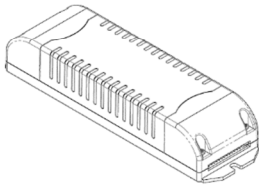


# 60W 24V In-Door 24V Constant Voltage LED Driver

## Product Offering



**Order part number:**  
ICV-AD-060W-24V-A-F-20

## Product Description:

- DC 24V constant voltage output
- Two stages active power factor correction
- Semi-potting with robust plastic housing
- Nominal life 50,000hrs (at tc 65 °C with a failure rate <0.2% per 1,000hrs)

## Feature:

- High efficiency; PF > 0.95 and low THD <10%
- Reinforced insulation from input and output
- Cooling by free air convection
- Fully protected: Short circuit, input voltage surge, overvoltage protection

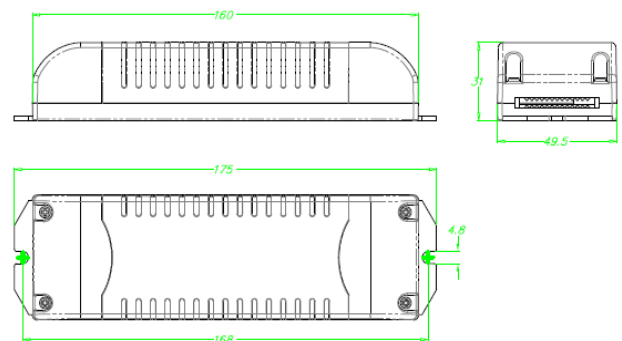
## Technical Data

Rated supply voltage, AC	220-240 Vac, 50/60Hz
AC Voltage range, AC	194-264 Vac, 50/60Hz
Survive input range (for 30mins)	170-305 Vac, 50/60Hz
Rated current @230Vac	<0.5A
Leakage current @240Vac	<0.5mA@240Vac
Max. input power	72W
Typ. efficiency (at 230V 50Hz, full load)	Typ. 87%
Inrush current (at cold start, full load@230V)	<130A (T-width @100µs)
Typ. λ (at 230 V 50Hz, Full load)	>0.95
Typ. λ (at 230 V 50Hz, half. load)	>0.9
Output rated power	60W
Start up time	<0.5s
Surge Voltage	light industry level (surge 2KV)
Ambient temperature ta	-25 ... +50 °C
Max. Casing temperature tc	+80 °C
Size (mm)	175x49.5x31mm
Weight	290g

## Standard comply

EN55015; EN61000-3-2; EN61000-3-3; EN61547; EN61347-1; EN61347-2-13;

## Outlook (in mm):



## Specific Technical Data

Order Part number	Max. output current	Output voltage	Ripple voltage
ICV-AD-60W-24V-A-F-20	2500mA <sup>(1)</sup>	24Vdc (23.3-24.7Vdc)	<75mV

**Remark:**  
(1) For detail specification, please refer to the "Technical Information".

**Notes:**

- Specifications may vary without notice
- Always consult local electrical codes
- Parameters are measured at rated output, rated load and at an ambient temperature of 25°C
- Expect slight variation including component tolerance, setup tolerance, line regulation and load regulation.
- Power supplies should always be stress tested and tested for EMC within specific fixture
- Where grounding/earthing is not indicated, avoid grounding/earthing or contact with grounded/earthed metal enclosures
- Performance with dimmers, where supported, may vary depending on dimmer model